

**AGNI HYDROPNEUMATIC PRIVATE LTD**

# Hydraulic Power Pack Catalogue

January 2025 Rev-01

# AGNI

## Hydraulics & Pneumatics

### Welcome

Welcome to the Agni Hydraulics Valve Catalogue, your trusted source for high-performance hydraulic valves. We offer a comprehensive range of valves designed to meet the demands of diverse industries and applications, all at competitive prices.

## Hydraulic Power Packs : AGH Type

### Contact Us

Address - AGNI Hydropneumatic Private Limited  
Plot No - 59A/5 Sector-04 IIE Sidcul Pantnagar Uttarakhand - 263153  
Contact - 9045085537 | E-Mail - [info@agnihp.com](mailto:info@agnihp.com)  
Website - <https://agnihp.com>



## Table Of Content

---

<a href="#">Welcome</a>	1
<a href="#">Contact Us</a>	1
<a href="#">Table Of Content</a>	2
<a href="#">Get to Know Our Company</a>	3
<a href="#">Hydraulic Power Packs</a>	4
<a href="#">Type : AGH</a>	4
• <a href="#">How To Order</a>	5
• <a href="#">Hydraulic Schemes of Type AGH</a>	5
• <a href="#">Basic characteristics of Type AGH</a>	6
• <a href="#">Characteristics Type AGH - Tab1</a>	7
• <a href="#">Standard three-phase motors - Tab2</a>	7
• <a href="#">Standard gear pumps - Tab3</a>	8
• <a href="#">Type AGH - Special executions</a>	8
• <a href="#">Type AGH - Dimensions and tank capacities - Steel execution</a>	9

## Get to Know Our Company

AGNI HYDROPNEUMATIC PRIVATE LIMITED newly established in 2024 as a small-scale firm, began its journey to introduce world-class Hydraulic and Pneumatic Cylinders of the latest design to the Indian market at affordable prices. Over the years, we will expand our product range to include Pneumatic Power Clamp Cylinders and Other Hydro-Pneumatic products like Valves, Connectors, Fittings and specialized products for OEM applications.

### Our Mission

We aim to expand our range of products, technology, and customer base in the coming years to gain the same recognition in the international market and become a global company.

### Our Vision

We are committed to enhancing industrial efficiency and performance by offering innovative, high-standard hydraulic and pneumatic solutions that meet the diverse needs of our clients nationwide

## Our Values

### Customer-Centric

It is our core value that the Customer satisfaction comes before everything.

### Innovative

We always strive to deliver new and better solutions to the ever changing business world.

### Integrity

We are building trust with honesty and transparency is as the root of our value system

### Involved

We value and are actively engaged with our customers, partners, employee or employees and the community.

## **Disclaimer**

Please Read The Following Warning Carefully

**Please be aware that using the products described here incorrectly or for unsuitable applications could lead to serious consequences, including death, injury, and property damage.**

This document provides information for qualified users to explore product and system options. We encourage you to carefully analyze your specific application, including potential failure risks, and consult the current product catalog for detailed information.

**Agni Hydropneumatics** reserves the right to make changes to product features, specifications, designs, availability, and pricing without prior notice.

Ultimately, you are responsible for selecting the products and systems that best meet your needs and ensuring they comply with all performance, safety, and warning requirements. We appreciate your understanding and commitment to safety.

## Hydraulic Power Packs

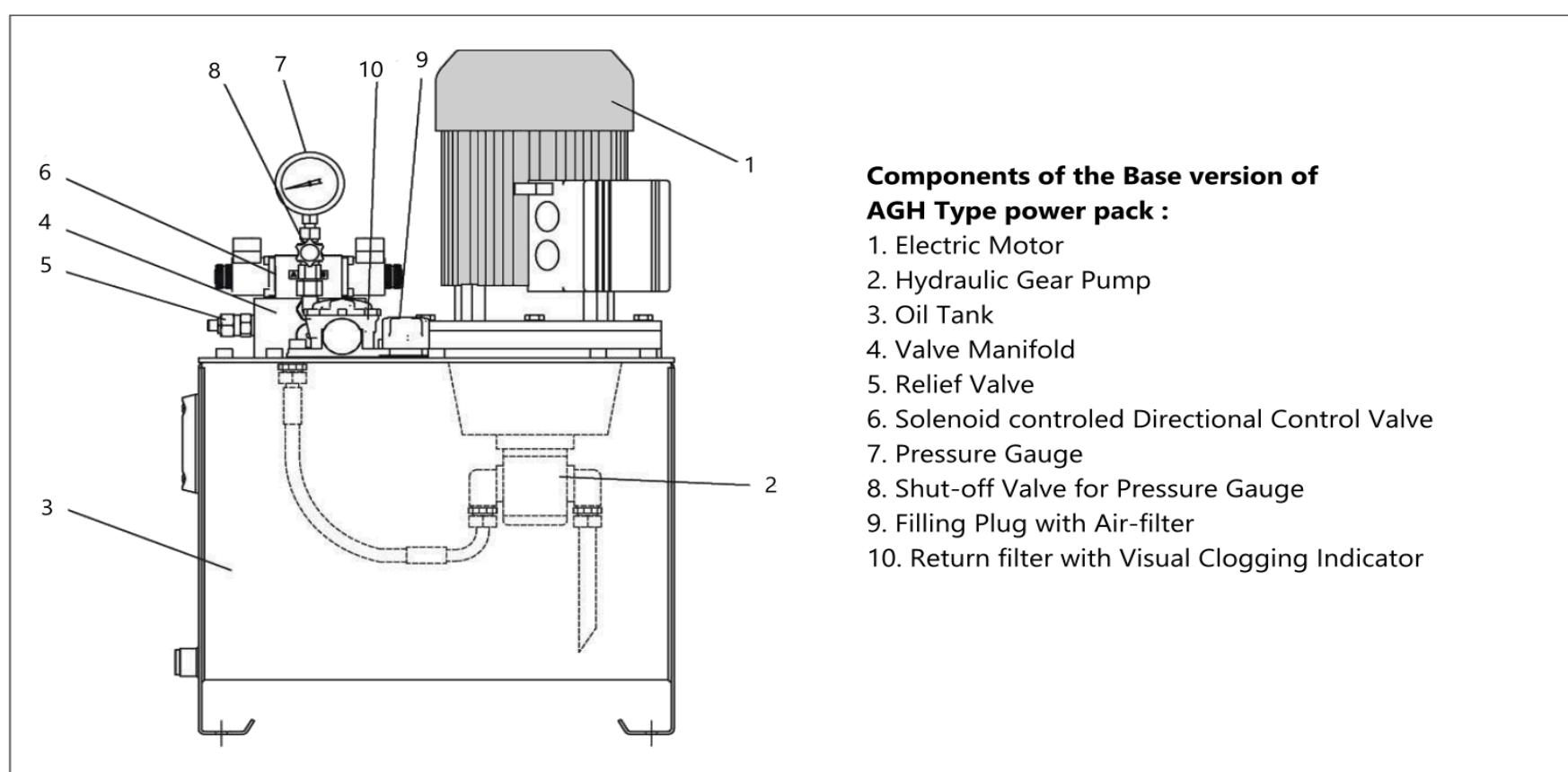
A hydraulic power pack is a device that provides hydraulic power to machinery or equipment through the use of pressurized fluid. It typically consists of a motor (often electric or diesel), a hydraulic pump, a reservoir to hold the fluid, and a control system to regulate the pressure and flow. The power pack generates hydraulic pressure, which can then be used to operate various hydraulic tools or systems like lifts, presses, or steering mechanisms. It essentially acts as a central power source for hydraulic systems.

### Type : AGH

AGH hydraulic power packs are built to power and control hydraulic actuators in mobile and industrial systems like presses, lifts, cranes, and elevators. They are available in multiple configurations with different electric motors, pumps, and tanks.

#### Main features

- Nominal pressure 210bar -
- Maximum pressure 350bar -
- Electric motors up to 7,5 kW -
- Steel or aluminum version -
- Tank capacity from 12 to 150 -



## How To Order

Type

-

Power of electric motor (kW)

-

Tank Capacity

-

Pump displacement (cm<sup>3</sup>rev) (Table - 3)

-

Design number

Example code -

AGH

1,1

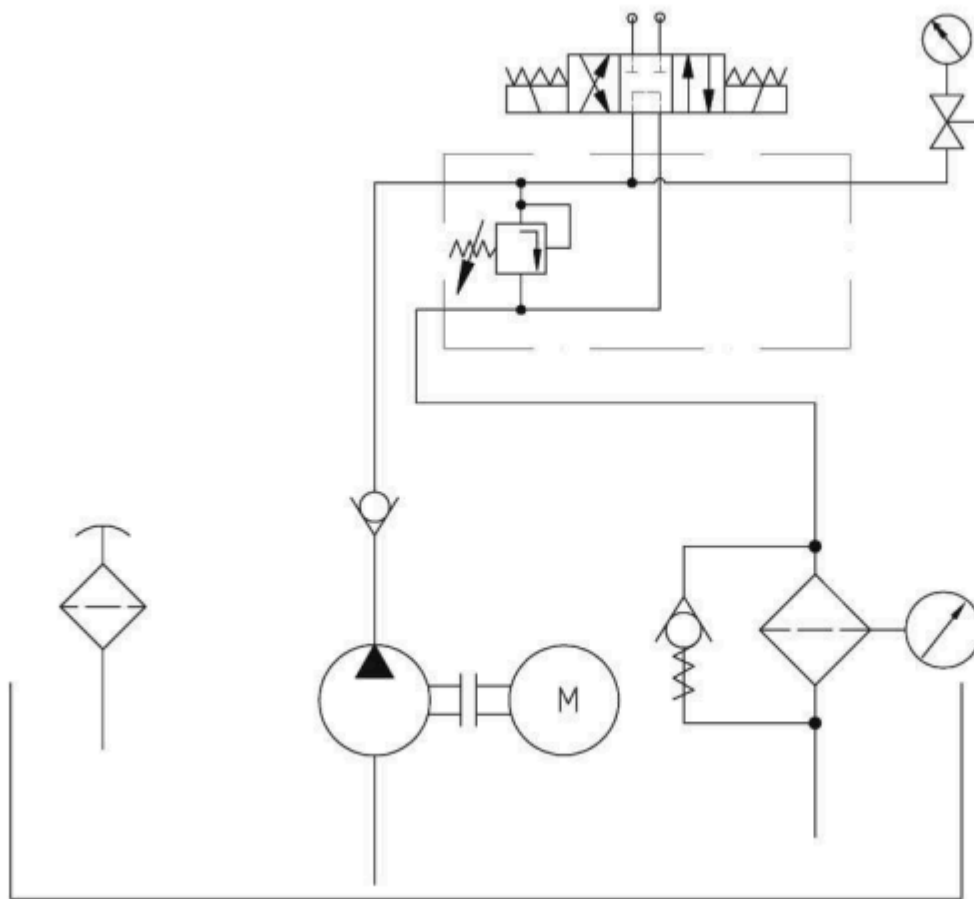
50

10,8

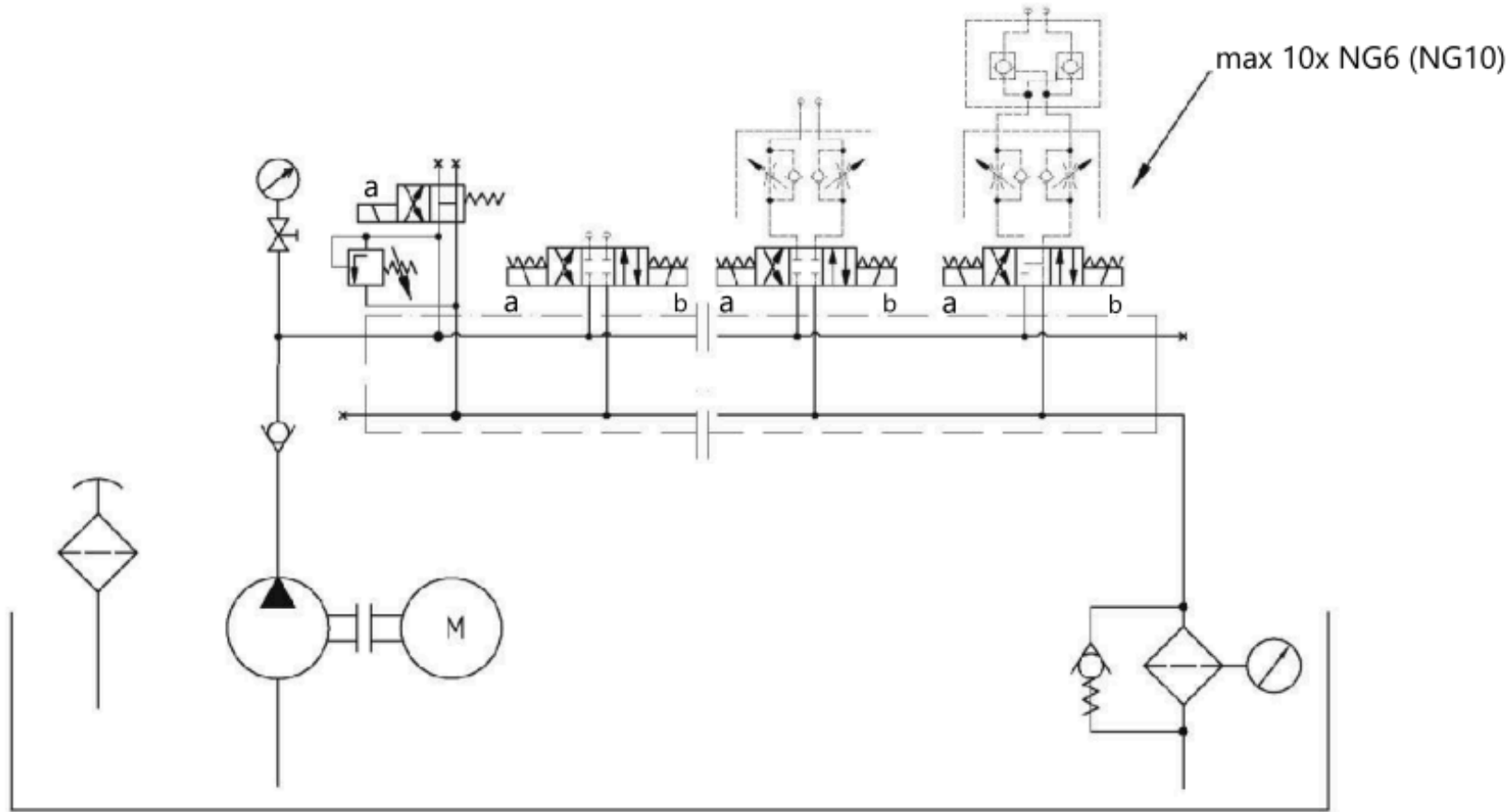
XYZ (provided by our tech department)

## Hydraulic Schemes of Type AGH

1 - one solenoid operated directional control valve



2 - With a manifold containing 2 or more solenoid operated valves



## Basic characteristics of Type AGH

Installation position	Horizontal, with vertical motor axis
Ambient temperature	20°C - +50°C
Recommended temperature	30°C - 50°C
Fluid temperature	-15°C - 70°C
Fluid temperature	Mineral oil type HLP
Recommended viscosity	20mm <sup>2</sup> /s – 100mm <sup>2</sup> /s
Degree of fluid contamination	Class 21/18/15 according to ISO 4406
Electric motor	4-pol., 230/15 V, AC-50Hz
Pump type	Gear pump
Port sizes	G3/8", G1/2", G3/4"
Tank capacity	Depending on duty cycle and flow level

**Attention:** Following characteristics refer to three-phase motors (Tab.2) and gear pumps (Tab.3). For other configurations, contact our Technical Department

Contact us at [info@agnihp.com](mailto:info@agnihp.com) or [\[click here\]](#) to visit our website.

## Characteristics Type AGH - Tab1

Flow rate at 1450 rpm [l/min]	Maximum pressure [MPa] with motor power of										Suggested unit size
	0,37kW	0,55 kW	0,75kW	1,1kW	1,5kW	2,2kW	3kW	4kW	5,5kW	7,5kW	
1,7	12	18	22								AH-20-
3,8	6	8	12	17	22						
6		5	7,5	11	14	21	23				AH-35-
9,4		3,5	4,5	7	9,5	14	19	23			
10,9			4	6	8	12	16	21	23		AH-50-
12,2				5	7	10,5	14	19	20		
15,7				4	5,5	8	11	15	15	23	AH-75-
20,9						6	8	11	13	20	
24,4						5	7	9	11	17	AH-100/ AH-150-
27,8							6	8	9	15	
33,1							5	7	8	13	AH-100/ AH-150-
38								6	6,5	11	
46,8								5	5,5	9	
55,8									5	7,5	
63										6,5	
68,4										6	
73,8										5,5	

**Attention:** Following characteristics refer to three-phase motors (Tab.2) and gear pumps (Tab.3). For other configurations, contact our Technical Department

## Standard three-phase motors - Tab2

Motor power	0,37kW	0,55 kW	0,75kW	1,1kW	1,5kW	2,2kW	3kW	4kW	5,5kW	7,5kW
Nominal voltage	230/415V 50Hz*							415V 50Hz*		
Motor Size	71	80		90		100		112	132	
Rated speed [rev/min]	1370	1395	1395	1415	1420	1420	1420	1440	1455	1455
Rated speed [rev/min]	225	252	252	299	299	331	331	352	396	396

\* For other voltages, performances, contact our Technical Department

## Standard gear pumps - Tab3

Type	XV-1P/1,2	XV-1P/2,6	XV-1P/3,8	XV-1P/4,3	XV-1P/6,5	XV-1P/7,8	XV-2P/09	XV-2P/11	XV-2P/14
Displacement 3 [cm /rev]	1,17	2,6	3,64	4,16	6,5	7,54	8,4	10,8	11,4
Type	XV-2P/17	XV-2P/19	XV-2P/22	XV-2P/26	XV-3P/32	XV-3P/38	XV-3P/43	XV-3P/47	XV-3P/51
Displacement 3 [cm /rev]	16,8	19,2	22,8	26,2	32,3	38,5	43,2	47,2	50,9

## Type AGH - Special executions

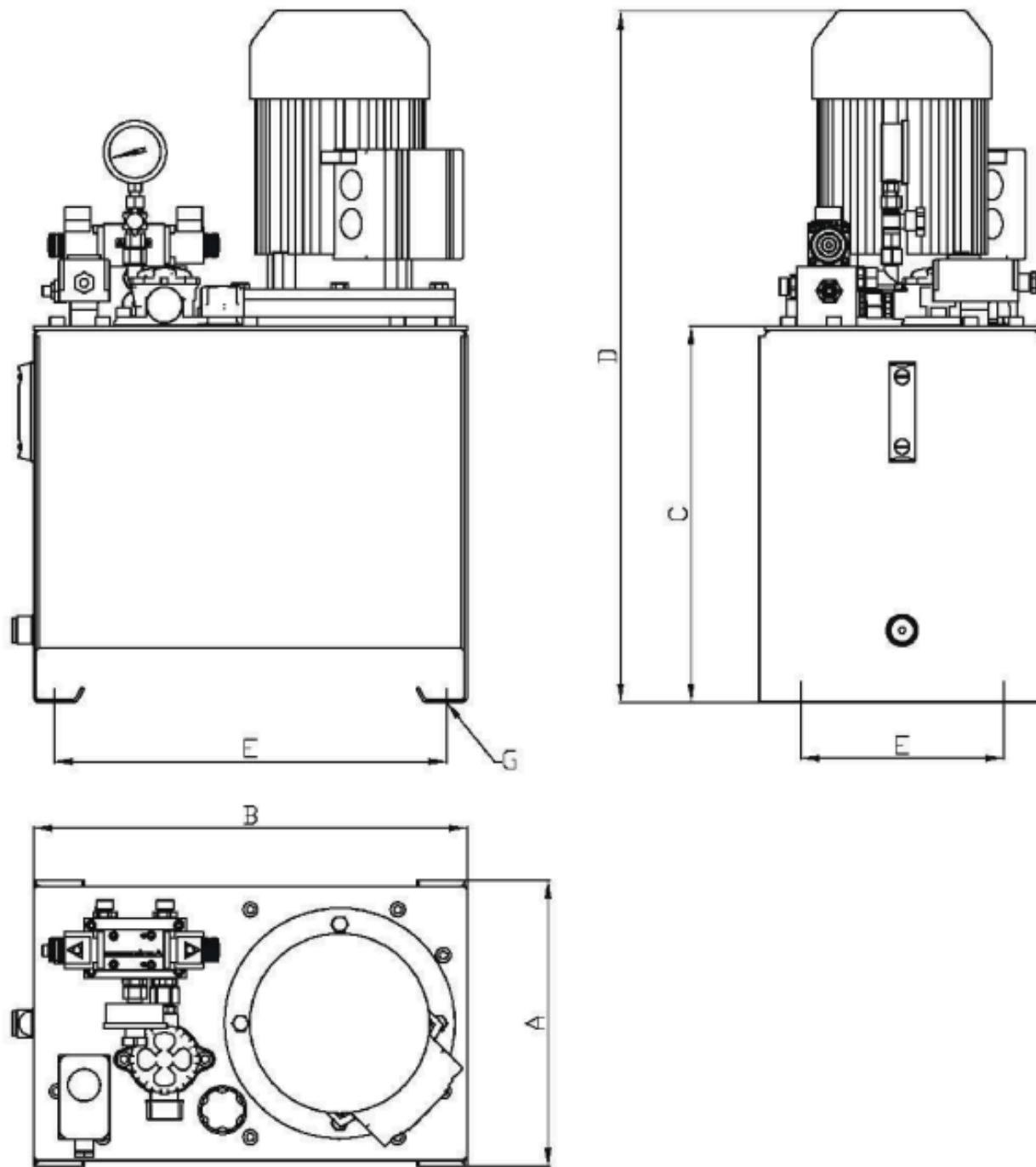
The basic version of AGH can be modified by using a monoblock valve or by complete removal of directional valves, on customer's demand or when it is necessary. Following are the example modifications -:

- 1 - with proportionals
- 2 - with heat exchangers ( coolers and/or heaters)
- 3 - with multiple pumps or several independent pump units
- 4 - with fixed or variable displacement vane or piston pumps
- 5 - with additional hand pump
- 6 - with control valves in sizes: NG 16, NG25, NG 32
- 7 - with optional: pressure switches, transducers, pressure filters
- 8 - with other single-phase motor or DC motors
- 9 - with stainless steel elements



## Type AGH - Dimensions and tank capacities - Steel execution

Basic version with one solenoid valve



Type	Steel execution (Tab. 1.1)							
	Capacity [l]	A	B	C	Dmax	E	F	G
AH-20	20	310	400	334	C+Lmax (tab.3.)	355	220	11
AH-35	35	310	470	409		425	220	11
AH-50	50	400	500	430		455	310	11
AH-75	85	400	550	541		505	310	11
AH-100	109	400	700	542		655	310	11
AH-150	145	500	750	632		705	410	11

Please contact us for more information or for a custom product.

Contact us at [info@agnihp.com](mailto:info@agnihp.com) or [\[click here\]](#) to visit our website.



Address - AGNI Hydropneumatic Private Limited  
Plot No - 59A/5 Sector-04 IIE Sidcul Pantnagar Uttarakhand - 263153  
Contact - 9045085537 | E-Mail - [info@agnihp.com](mailto:info@agnihp.com)  
Website - <https://agnihp.com>